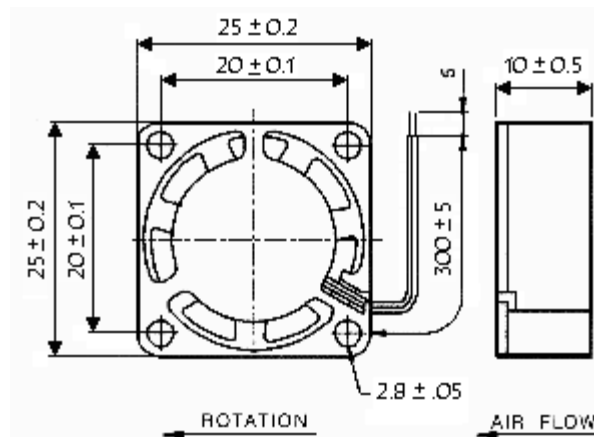
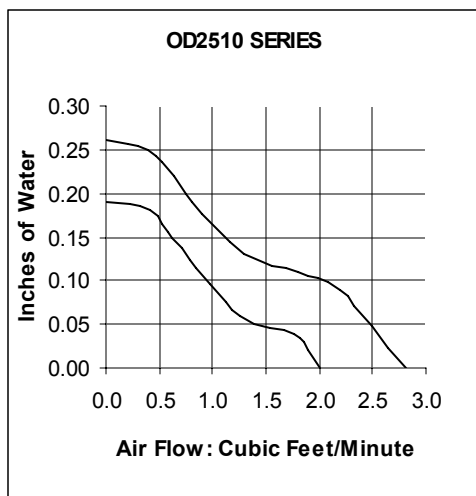


# ORION DC Cooling Fans



1.00 x .39  
(25 x 10mm)  
Ball Bearing  
(Guard Available By Special Order)

Motor	Brushless DC, auto restart impedance & polarity protected
Impeller & Frame	Glass reinforced thermoplastic, PBT, UL94V-0
Bearing System	Two Ball or Sleeve
Insulation Resistance	Min. 10 M at DC 500V
Dielectric Strength	500VAC/1 sec. max. leakage 500 micro amp.
Operating Temperature	Ball bearing -20 C~+80 C Sleeve Bearing -10 C-50 C
Life Expectancy	Ball bearing 70,000 hours Sleeve bearing 30,000 hours
Safety Approvals	UL, cUL, TUV



Model Number	Speed (RPM)	Max CFM	Noise (dB)	Volts (VDC)	Voltage Range	Current (Amp)	Max. Static Pressure Inches
OD2510-12HB	13000	2.7	31	12	6 ~ 16	.13	.26
OD2510-12MB	10000	2.0	24	12	6 ~ 16	.07	.19

( ) Indicate (B) Ball or (S) Sleeve

Other voltages and speeds are available by special order. Minimums may apply.

The above referenced DC fans are available with Tach or alarm output by special order. Minimums may apply.